

HOT AIR MULTI COOKER HEISSLUFT-MULTIGARER

Version 19.05.

GB OPERATING INSTRUCTIONS

D BEDIENUNGSANLEITUNG



**HEISSLUFT-MULTIFRITTEUSE, MULTIBACKOFEN & SUPPENAUTOMAT & REISKOCHER
& GRILL ECO AIR-PROFI SOUP DC-1400W**
(Rührpaddel nicht herausnehmbar)

Inhaltsverzeichnis

1. Introduction 2
 2. In general 2
 3. Product description 2
 4. Preparation 3
 5. Operation 4
 6. Setting 5
 7. Cleaning 6
 8. Recognising and repairing of mistakes 6
 9. Security tips 6
 10. Guarantee regulations 7
 11. Notes on product liability 8
 12. Notes on disposal 8
 13. Declaration of conformity 8
 14. Delivery list 16
 15. Technical data 16

SAFETY INSTRUCTION AND WARNINGS

Please read the operating instructions before operating the appliance

Warning of electrical voltage

Warning sign

Protect from water and moisture

1. INTRODUCTION

We would like to congratulate you on the purchase of our device. We appreciate your trust. That's why functional security and operational safety stands by us on first place.



To prevent damage to persons or property, you should read this user manual carefully. Please observe all safety precautions and instructions for proper use of the hot multi fryer. Failure to follow the instructions and safety precautions can result in injury or property damage.

Please keep this manual with the instructions and safety instructions carefully in order to at any time you can restore them.

2. IN GENERAL

The device is designed according to the latest state of the art, manufactured to the highest standards and undergo strict quality controls. For improper use we assume no liability. Make sure after unpacking that the data given on the nameplate agree with the foreseen operating conditions. When in doubt, the operation is prohibited.

Transport damages are reported immediately to the transport company and to us in writing. For shipment by DHL transport damage must be reported within 7 days at the post office (www.dhl.de).

3. PRODUCT DESCRIPTION

This appliance is a digital timing multi fryer and multi-functional cooker. It is specifically designed for home use. It can be used to bake, fry, broil as well as steam vegetables and fish etc. It has many advantages such as exquisite design, multi function preparation of food, fast cooking, convenient to use etc.

- It has a three-dimensional unique design with a novel appearance.
- It has an additional bottom heating element. The motor speed of 2.5 – 3 cycles/minute leads to frying/cooking/steaming foods more evenly and faster.
- This appliance can be used for frying, baking, boiling, steaming etc. It is essentially a multi-cooker.
- It has a frying mesh basket that is so exquisitely designed to fry foods in all directions.
- The lid is transparent so this makes it easy to keep an eye on food as it cooks.

- This appliance uses hot air circulating to cook food. There is really no need to use oil. Food is thus prepared in a healthy manner.
- The appliance has a timer for food preparation. The longest time that can be set is 60 minutes.

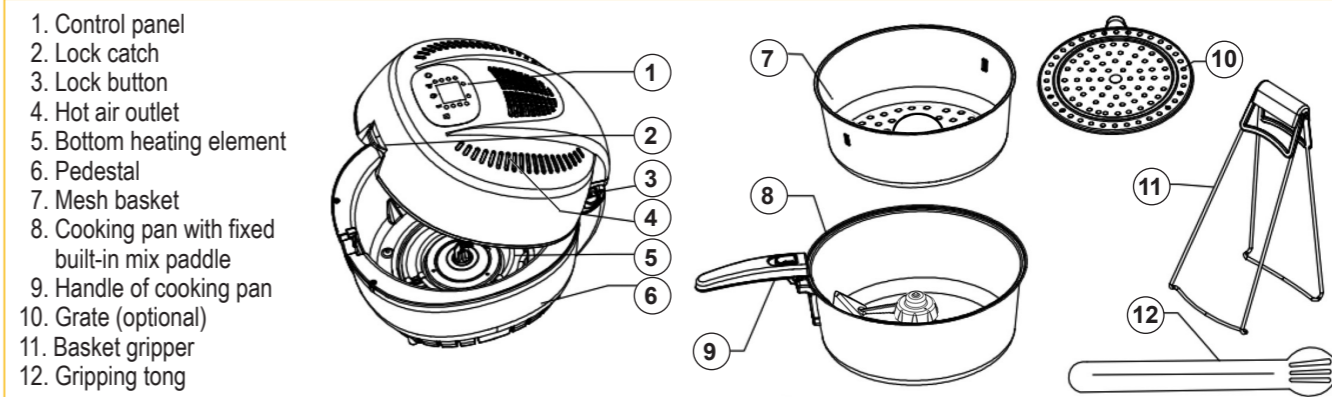
4. PREPARATION

Before first use

- Remove all packing material and check the accessories.

Switch on the unfilled device for approx. 10 minutes before first use. To do this, connect the unit to the power source and press the power switch on the back of the unit. Start the device with the on/off power button on the display. During this time there may be a slight emission of smoke and odours. This is normal and completely harmless.

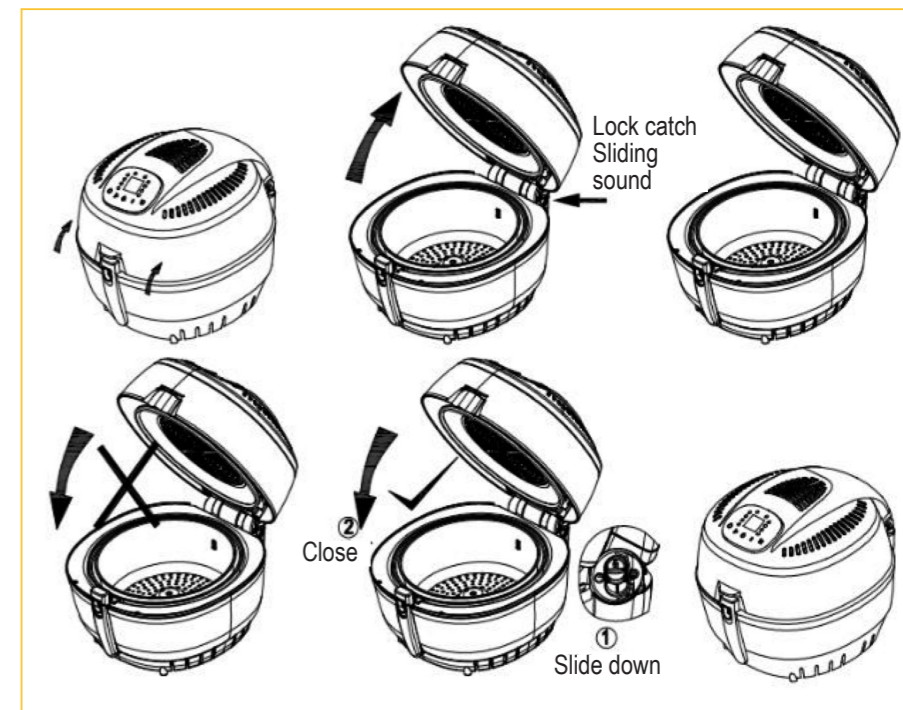
- Please wipe appliance before use. Refer to „cleaning and maintenance“ instructions.
- Clean all accessories with hot water. Place them in the appliance, select a function and turn on the appliance for 10 minutes to get rid of the odour from heating element and accessories.
- Unplug the power cable, wipe inside and outside of appliance with a moist cloth after it has cooled down.



CAUTION!

Before closing the top (lid) of the appliance, slide down the lock catch. Thereafter, you can close the lid. See diagrams.

- Use a tong to remove hot food from the cooker.
- Use a potholder when removing the inner pan as it might still be hot.

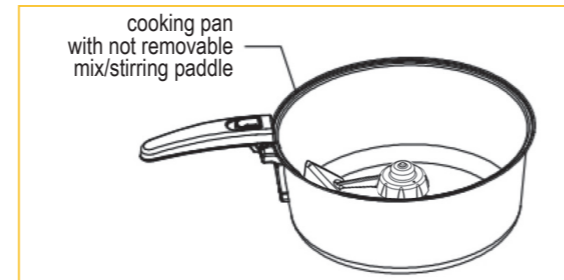



IMPORTANT!
5. OPERATION

- Place the appliance on a stable, horizontal surface. Make sure the power cord is placed at a good distance from the socket. Place the appliance away from hot surfaces and any combustible material as shown in this diagram.
- Assemble the appliance depending on your needs using relevant accessories. See diagrams below.

- **Rice/vegetable/meat cooking mode.**

Take out all the cooking accessories from the cooking pan.



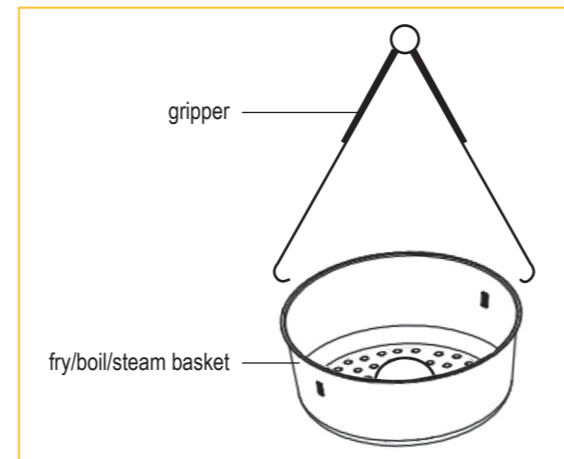
- **Fry/broil/steam mode.**

Place the basket directly on the pan as shown in the diagram.



Please use special gripper to carefully remove the basket after cooking then place it on a stable horizontal surface. Use a gripping tong to take out the cooked foods.

Be careful when removing food from the appliance. Use pliers to remove the food. Wear well-insulated oven gloves before touching any parts of the appliance other than the handle.


6. SETTING

When you have filled in the food to be prepared and switched on the appliance, press the „Temp./Timer“ button. With the plus/minus keys you can select the type of preparation on the left and the type of food or jump to the functions on the right. The indicator light shows which function is currently selected.

Time and temperature are preset. The plus/minus button can be used to increase/decrease the cooking time and/or temperature.



- Please connect the main plug to an earthed wall socket when all cooking ingredients are ready. Close the lid. The appliance will be on standby once you hear a beep sound. Press “On/Off” when the LCD shows a short horizontal line. After that select the necessary time and temperature. Then press the key “On/Off” to switch on the appliance.
- On the interface of “timer/temperature” press function displaying “+/-” to select cooking mode (i.e. fry, bake, broil, steam etc.). Thereafter, select the type of food e.g. chicken, fish, meat, vegetables etc. and then press “On/Off” to automatically start the appliance.
- A prolonged “beep” signifies that the appliance has finished cooking. However, the fan of the motor will to work for the next 60 seconds. This helps cooling the appliance.
- If you need to add seasoning or additional ingredients during cooking, simply open the lid and add directly.
- If no operation is selected 30 minutes after cooking, there will be a long “beep”. The appliance then goes in standby mode.
- You can stir when the appliance is in any mode other than “child lock” by simply pressing the “stir” button. The appliance will be in stirring mode and the light on stirring will be on. To turn off stirring, simply press the stir button once more.
- **Timer/Temperature Setting**
 - 1.) Timer: press the temperature/timer key. The time indicator will be twinkling on the LCD. Press the “+/-” key to adjust time then press “On/Off” to confirm. Instead of pressing +/-, you can simply wait for 3 seconds and the selection will automatically confirm.
 - 2.) Temperature: press the temperature/timer key. The temperature digit will be twinkling on the LCD. Set your desired temperature by pressing the “+/-” key. Press “On/Off” to confirm the selected temperature. Alternatively, you can simply wait for 3 seconds and the set temperature will be automatically confirmed.
- **Child-Lock Function**
 - 1.) To set child-lock when the appliance is in operation, simply press “Timer/Temperature” and “Function” keys at the same time. The child-lock light will be on once this setting has been successfully set. All keys on the interface cannot be used anymore till child-lock is disabled.

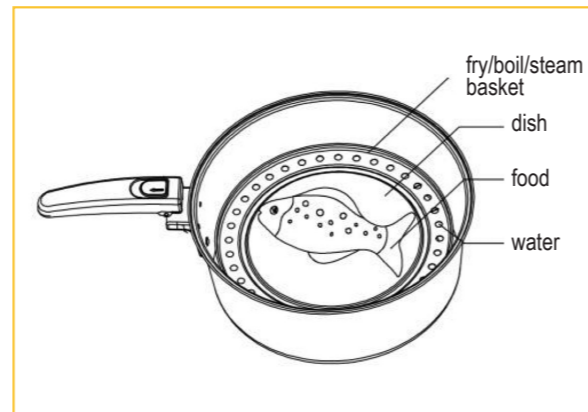
2.) Child-Lock Unlocking. Simultaneously press “Timer/Temperature” and “Function” keys to disable the child-lock function. Switching off or restarting the appliance automatically disables child-lock.

● Preset Function

- 1.) First do the settings of cooking mode and type of foods before pre-setting time from 1 minute to 9 hours 59 minutes.
- 2.) Press the “Preset” key and set time in hours and minutes by pressing +/- key.
- 3.) After you select the time, press the “Preset” key once again to confirm your selection. You can also press “On/Off” to confirm your selection.

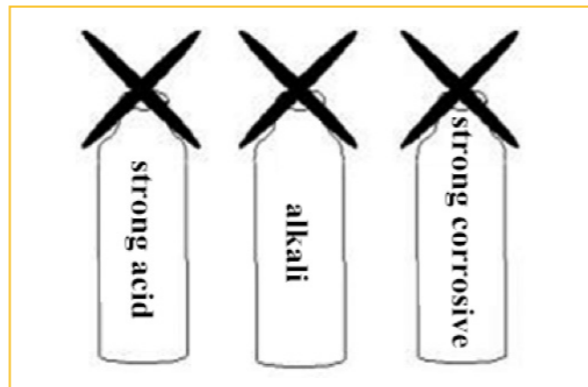
● “Steam” function

- 1.) Please add suitable water (500-1000ml) to the pan after assemble related parts.
- 2.) Put foods to the grate with the necessary seasoning
- 3.) Set the cooking mode (STEAM) and foods (CHICKEN FISH MEAT...). Press “ON/OFF” for confirmation, the machine will be in automatic cooking.
- 4.) After steam (about 45mins), the machine will be in heat preservation (about 30mins). After that if there is no any operation, there will be a “Beep”, then it will be in standby.



7. CLEANING:

- Only clean when the appliance is off and has cooled down.
- Do not use strong corrosive cleaner to clean the appliance as this might damage it.
- Wipe the appliance with a soft clean cloth and never use a wet one. Avoid water from entering the interior of the appliance as this could cause a short circuit, fire or an electric shock.
- Do not clean the pan, basket and the inside of the appliance with abrasive cleaning material as this might damage the coating.
- Clean the pan, separator and basket with water, dish-washing liquid and a non-abrasive sponge. Do not use sharp objects to clean the basket and pan as they can be scratched.



8. RECOGNISING AND REPAIRING OF MISTAKES

Problem	Possible cause	Solution
The Multi fryer does not work	The appliance is not plugged in	Switch on the unfilled device for approx. 10 minutes before first use. To do this, connect the unit to the power source and press the power switch on the back of the unit. Start the device with the on/off power button on the display.
	Safety switch disconnected or be damaged	Change the safety switch to a good one or consult for maintenance
	Temperature probe disconnected or bad connection	Change the probe or consult for maintenance
	Indicating light not on	With power,if the motor and heating element work properly,just the indicating light is not on,please consult for maintenance
Motor does not work or makes noise	Fan stuck, or the air inlet blocked	Power off, and check if there is anything blocked, or consult for maintenance

9. SECURITY TIPS

In order to ensure safety, and avoid any personal injury or property damage to others, please follow up our safety warning strictly, as dangers may occur under incorrect operations.

- ⚠ Do not place the appliance on or near combustible materials such as tablecloth; curtain etc, in case of fire.
- ⚠ Do not touch the air outlet by finger or face when the appliance is working, in case of scalding.
- ⚡ Do not cover the air inlet and the air outlet when the appliance is working, in case of accident or damage to the appliance.
- ☂ Do not repair the appliance, unless go to authorized technician, in case of electric shock or fire.
- ⚡ Do not use the appliance other than AC 220V, in case of electric or fire.
- Do not use the appliance if there is any damage on plug, main cord or other parts.
- Do not operate the appliance if the cord is strong bending; near high temperature; or heavy loads etc, in case of electric shock or fire caused by electric leakage.
- Do not pull out plug with wet hand, in case of electric shock injuries.
- Do not immerse the appliance in water. Be careful not to allow water or any other liquid to enter the housing interior and reach live components.
- Do not moving or shaking appliance during operation.
- Do not let the children operate unattended, and keep the appliance out of the reach of children, in case of any injury.
- Do not insert a pin, wire or other conductive material to the vent bottom of appliance, in case of electric shock
- Do not immersing the appliance housing in water or rinsing under the tap, or keeping in wet surfaces. Do not toward the air out to power cord when appliance is working
- Do not keep the power cord plugged when not using the appliance, in case of any danger.
- This appliance requires a outlet with separated security current over 10A, please do not share with other appliances, in case of damage of outlet, and cause fire.
- Cleaning the power cord plug or socket in time if there is some dust or water, in case of fire; electric shock or short circuit accident.
- For product Maintenances, parts replacement, please go to the professional maintenance outlets. In order to avoid any accidents may caused by improper maintenances.
- Always make sure that the plug is inserted into the wall socket properly.
- Use a new special cord that purchased from maintenance outlet or manufacturer once there is damage on the power cord
- This appliance can't operate with an external timer or remote control system
- The following items should not be placed or cooked inside the appliance: paper, plastic, and other flammable tired.
- Leave enough free space around the appliance 20cm apart , and never cover the appliance with other items.
- This appliance is designed for household use only.
- Never turn on the appliance if the fryer pan is not well inserted.
- People with heart pacemaker or hearing AIDS, who want to operate the appliance, please consult a professional licensed physician and check with medical devices manual.
- During the operation, only allowed to touch the specified part.
- **Operation can not be performed by children and young people under 16 and people with intellectual disabilities.**
Children and people with intellectual disabilities must not have access to the fryer or the power cord. Also keeping your children and persons with mental disabilities from the workplace provides additional safety.

THE MANUFACTURER EXPLAINS:

- To take over no responsibility in the case of accidents or damages on the basis of carelessness or disregard to the instructions in this manual.
- To reject every responsibility for the damages which originate from the improper use of this device.

10. GUARANTEE REGULATIONS

For all manufacturing and material defects, the statutory warranty applies. In these cases, we assume the Exchange or appliance repairs. Shipping costs are borne by us only to the extent legally is prescribed.

In case of warranty please call our service platform <http://www.profi-pumpe.de/service.php> log the event.

Then we will inform you how to proceed with case by case basis.

Returns please sufficient postage. Unfortunately prepaid returns will not be accepted, because they are filtered out before delivery. Our service we provide in Germany.

The warranty does not cover:

- Material wear
- Unjustified interventions or changes in the device
- Damages by selffault
- Improper servicing and improper use

Moreover, we give no damage compensation for secondary damages!

11. NOTES ON PRODUCT LIABILITY

We point out, that we are only liable for damages under the Product Liability Act, which are caused by our units if no changes were made to the equipment. If repairs are carried out by our authorized service, we are only liable if original spare parts and accessories were used.

12. NOTES ON DISPOSAL



Electro devices of our company, labeled with the symbol of the crossed trash bin, are not permitted to be disposed in your household garbage. We are registered at the German registration department EAR under the **WEEE-No. DE25523173**. This symbol means, that you're not allowed to treat this product as a regular household waste item – it has to be disposed at a recycling collection point of electrical devices. This is the best way to save and protect our earth.

THANK YOU FOR YOUR SUPPORT!

13. EU DECLARATION OF CONFORMITY

The undersigned 1A Profi Handels GmbH, Unterriethstr. 37, 65187 Wiesbaden confirmed that the overleaf designated products in the release to the market the version listed below relevant provisions, the relevant EU directives and comply with harmonized EU standards for safety. This declaration is valid in so far as the product to no changes are made.

Authorized person to keep the technical documents:

1A-Profi-Handels GmbH · Unterriethstraße 37 · D-65187 Wiesbaden

EU LVD directive 2006/95/EC

The following harmonized standards:

EN 60335-2-9: 2003+A1: 2004+A2: 2006+A12: 2007+A13: 2010

EN 60335-1: 2012+A11:2014

EN 62233: 2008

Wiesbaden, 31st October 2016

ppa. Peter Neumüller

Inhaltsverzeichnis

1. Vorwort	9
2. Allgemeines	9
3. Produktbeschreibung	9
4. Vorbereitung	10
5. Bedienung	11
6. Einstellungen	12
7. Reinigung	13
8. Erkennen und Beheben von Fehlern	13
9. Sicherheitshinweise	13
10. Garantiebestimmungen	14
11. Hinweise zur Produkthaftung	15
12. Entsorgungshinweise	15
13. EU-Konformitätserklärung	15
14. Lieferumfang	16
15. Technische Daten	16

SICHERHEITSHINWEISE UND WARNUNGEN



Bitte lesen Sie vor Inbetriebnahme des Gerätes die Bedienungsanleitung



Warnung vor elektrischer Spannung



Protect from water and moisture



Allgemeines Warnzeichen

1. VORWORT

Zum Kauf unserer Heißluft-Fritteuse und Multifunktions-Kocher möchten wir Sie recht herzlich beglückwünschen. Wir wissen Ihr Vertrauen zu schätzen. Aus diesem Grund stehen bei uns Funktions- und Betriebssicherheit an erster Stelle.



Um Personen- und Sachschäden zu vermeiden, lesen Sie die vorliegende Bedienungsanleitung bitte aufmerksam durch. Bitte beachten Sie alle Sicherheitshinweise und Anweisungen zum sachgemäßen Gebrauch des Produktes. Eine Nichtbeachtung der Anweisungen und Sicherheitshinweise kann zu körperlichen Schäden oder zu Sachschäden führen.

Bitte bewahren Sie die Bedienungsanleitung mit den Anweisungen und Sicherheitshinweisen sorgfältig auf um jederzeit darauf zurückgreifen zu können.

2. ALLGEMEINES

Diese Heißluft-Fritteuse und Multifunktions-Kocher ist nach dem neuesten Stand der Technik entwickelt, mit größter Sorgfalt gefertigt und unterliegt strengen Qualitätskontrollen. Für unsachgemäßen Gebrauch übernehmen wir keine Haftung. Vergewissern Sie sich nach dem Auspacken, dass die auf dem Typenschild angegebenen Daten mit den vorgesehenen Betriebsbedingungen übereinstimmen. Im Zweifelsfall ist der Betrieb zu unterlassen.

Transportschäden sind unverzüglich dem Speditionsunternehmen und uns schriftlich mitzuteilen. Bei Versand durch DHL sind Transportschäden innerhalb von 7 Tagen bei der Post (www.dhl.de) anzuzeigen.

3. PRODUKTBESCHREIBUNG

Dieses Gerät ist eine Heißluft-Fritteuse und Multifunktions-Kocher mit digitaler Zeitschaltuhr, die Zubereitungszeiten bis zu 60 Minuten erlaubt.

Es ist speziell für den Hausgebrauch konzipiert. Sie können damit backen, braten, grillen sowie u.a. Gemüse und Fisch schonend dämpfen. Das Gerät gefällt mit schönem Design, ist multifunktionell und bequem für schnelles und schonendes Garen von Speisen.

- Es hat sowohl Ober- als auch Unterhitze. Die Motordrehzahl von 2,5 - 3 Zyklen / Minute führt zu gleichmäßigerem und schnellerem Braten, Kochen und Dämpfen von Lebensmitteln.
- Im innovativ gestalteten Frittierkorb werden die Lebensmittel rundum knusprig gebräunt.

- Der transparente Deckel gewährt jederzeit eine Kontrolle des Kochvorgangs.
- Dieses Gerät nutzt heiße Luft, um die Nahrung zu garen. Die Speisen können mit wenig oder ohne Öl zubereitet werden. Nahrung wird so gesund zubereitet.

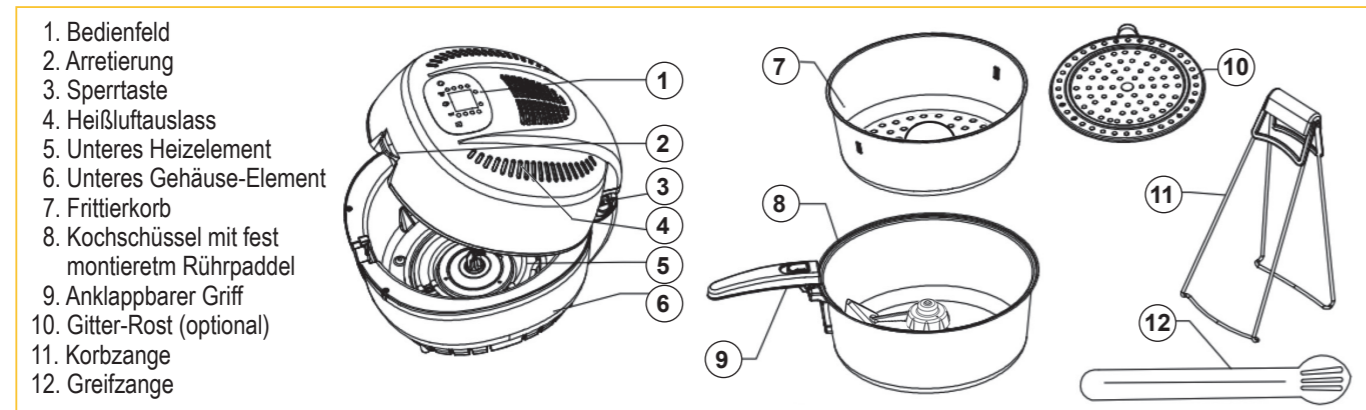
4. VORBEREITUNG

Vor dem ersten Gebrauch

- Entfernen Sie das gesamte Verpackungsmaterial und überprüfen Sie das Zubehör.

Schalten Sie das unbefüllte Gerät vor der ersten Nutzung für ca. 10 Minuten an. Dazu schließen Sie das Gerät an die Stromquelle an und betätigen den Netzschalter an der Rückseite des Geräts. Starten Sie das Gerät mit der on/off-Powertaste auf dem Display. Während dieser Zeit kann es zu einer leichten Rauch- und Geruchsentwicklung kommen. Das ist normal und völlig unbedenklich.

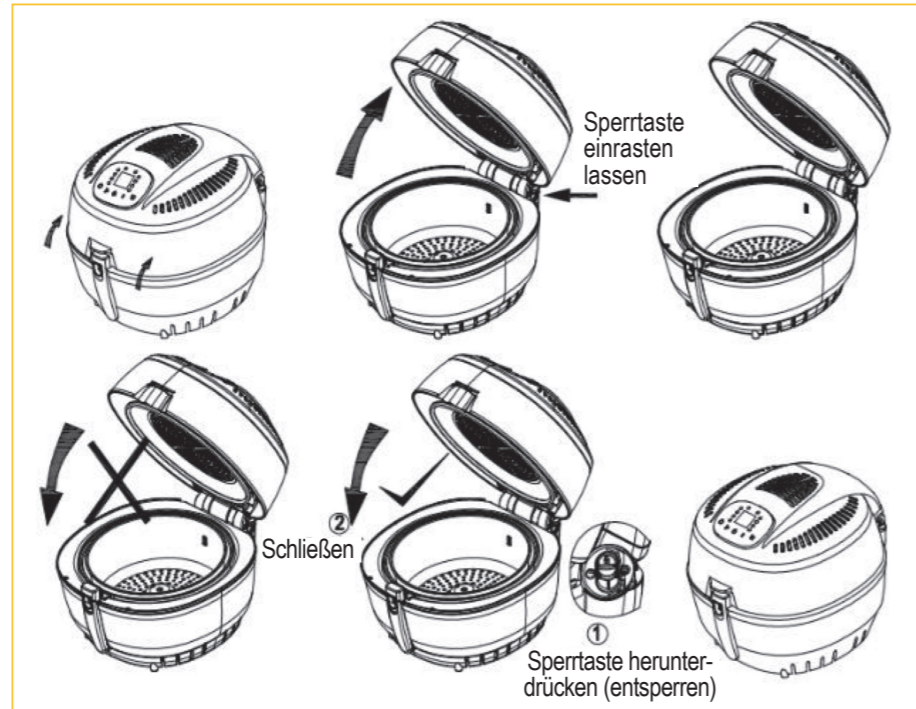
- Bitte reinigen Sie das Gerät vor dem Gebrauch wie in Kapitel 6 beschrieben.
- Ziehen Sie das Netzkabel heraus, und wischen Sie das Gerät nach dem Abkühlen mit einem feuchten Tuch innen und außen ab.



! ACHTUNG!

Bevor Sie den Deckel des Gerätes schließen, drücken Sie die Sperrtaste nach unten. Danach können Sie den Deckel schließen (siehe Bilder).

- Verwenden Sie eine Zange, um heiße Lebensmittel aus dem Kocher zu entfernen.
- Verwenden Sie einen Topflappen, wenn Sie den Kocheinsatz entnehmen, da dieser möglicherweise noch heiß ist.

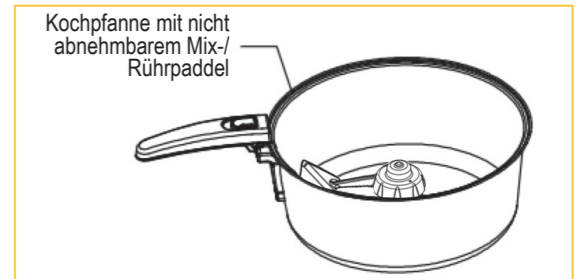


! WICHTIG!

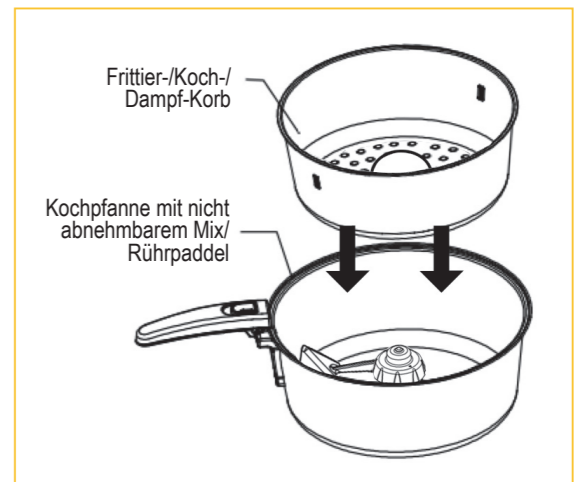
5. BEDIENUNG

- Stellen Sie das Gerät auf eine stabile, horizontale Fläche. Achten Sie auf gute Luftzirkulation und daß Sie genug Abstand (mind. 20cm) zu anderen Wärmequellen und brennbaren Materialien halten.
- Das Gerät je nach Bedarf mit dem entsprechendem Zubehör zusammenbauen (siehe untenstehende Bilder).

- **Beim Garen von Reis, Gemüse und Fleisch.** Entnehmen Sie das gesamte Zubehör aus der Kochschüssel.

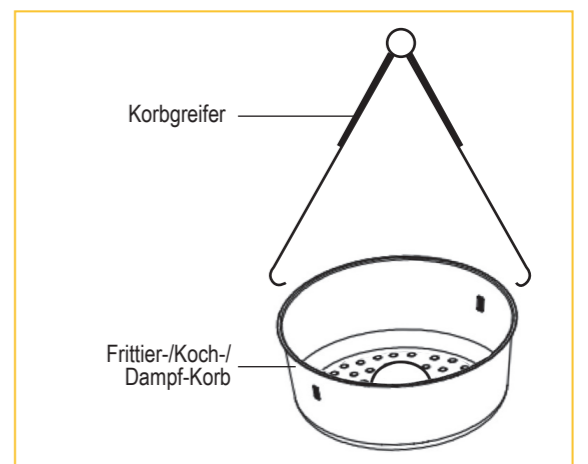


- **Beim Frittieren, Dämpfen und Grillen.** Platzieren Sie den Frittierkorb in der Kochschüssel.



Bitte benutzen Sie den Korbgreifer, um den Korb vorsichtig aus der Schüssel zu heben. Dann stellen Sie ihn auf eine stabile horizontale Oberfläche.

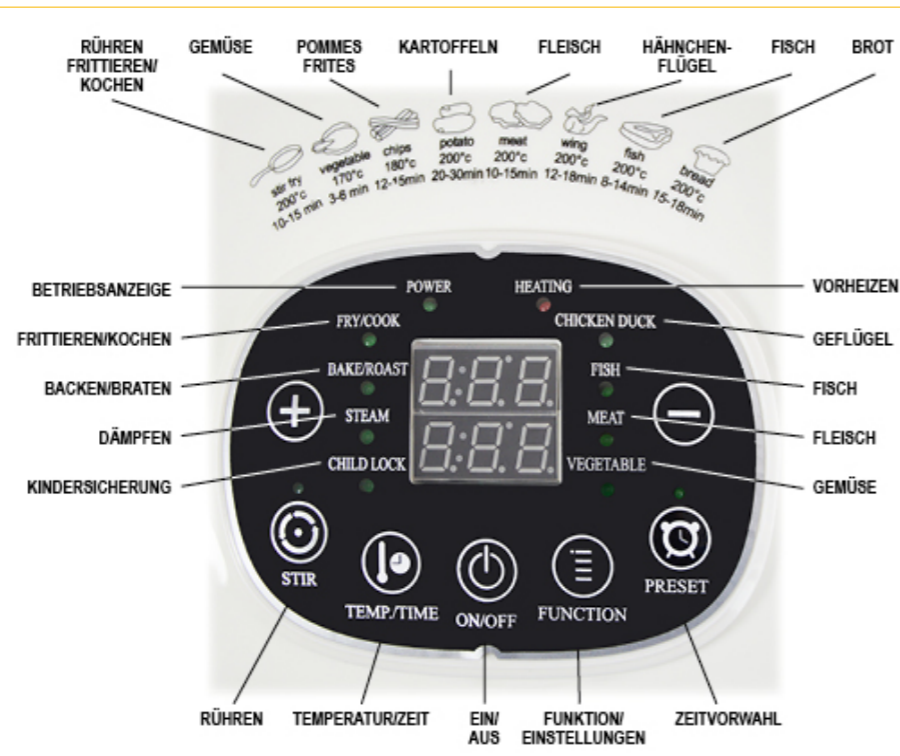
Seien Sie vorsichtig, wenn Sie Lebensmittel aus dem Gerät nehmen. Verwenden Sie eine Zange zum Entnehmen der Lebensmittel. Tragen Sie gut isolierte Ofenhandschuhe, bevor Sie Teile des Gerätes außer dem Griff berühren.



6. EINSTELLUNGEN

Wenn Sie die zuzubereiten- den Lebensmittel eingefüllt und das Gerät eingeschaltet haben, drücken Sie die Taste „Temp./Timer“. Mit den Plus-Minus-Tasten können Sie links die Art der Zubereitung und rechts die Art der Lebensmittel auswählen bzw. zu den Funktionen springen. Welche Funktion gerade ausgewählt ist, zeigt jeweils die Kontroll-Leuchte.

Zeit und Temperatur sind voreingestellt. Mit der Plus-Minus-Taste können aber Garzeit und/oder Temperatur erhöht/verringert werden.



- Stellen Sie das Gerät auf eine stabile, horizontale Fläche. Achten Sie auf gute Luftzirkulation und, daß Sie genug Abstand (mind. 20cm) zu anderen Wärmequellen und brennbaren Materialien halten.
- Ziehen Sie nach Gebrauch immer den Netzstecker.
- Schließen Sie den Netzstecker an eine geerdete Steckdose an. Geben Sie die Zutaten in das Gerät. Schließen Sie den Deckel. **Achtung: Bevor Sie den Deckel des Gerätes schließen, drücken Sie die Verriegelung nach unten. Erst danach können Sie den Deckel schließen**
- Das Gerät befindet sich im Bereitschaftsmodus sobald Sie einen Signalton hören. Drücken Sie „On / Off“ wenn das LCD eine kurze horizontale Linie zeigt. Danach die gewünschte Zeit und Temperatur wählen. Drücken Sie dann die Taste „On / Off“ um das Gerät einzuschalten.
- Auf dem Bedienfeld „Timer / Temperatur“ die Funktion „+/-“ drücken, um den Garmodus auszuwählen (z.B. Braten, Backen, Braten, Dampf usw.). Danach wählen Sie die Art von Lebensmitteln, z.B. Huhn, Fisch, Fleisch, Gemüse usw. und drücken Sie dann „On / Off“, um das Gerät automatisch zu starten.
- Ein längerer Piepton bedeutet, dass das Gerät fertig ist. Der Lüfter des Motors wird jedoch für die nächsten 60 Sekunden weiterlaufen um das Gerät abzukühlen.
- Wenn Sie beim Kochen würzen oder weitere Zutaten hinzufügen müssen, öffnen Sie den Deckel und geben Sie diese direkt hinein.
- Wenn 30 Minuten nach dem Kochen keine weiteren Eingaben am Bedienfeld gemacht werden, wird ein langer Signalton ausgegeben. Das Gerät geht dann in den Standby-Modus.
- Sie können jederzeit das Rührwerk betätigen, indem Sie einfach die „Rühren“ -Taste drücken. Das Gerät befindet sich im Rührmodus und das Licht beim Rühren ist eingeschaltet. Um das Rühren auszuschalten, drücken Sie einfach die Rühr-Taste noch einmal. Diese Funktion ist nicht wählbar, wenn die „Kindersicherung“ aktiviert ist.
- **Kindersicherung**
 - 1.) Um die Kindersicherung bei laufendem Gerät einzustellen, drücken Sie gleichzeitig die Tasten „Timer / Temperatur“ und „Funktion“. Die Kindersicherung leuchtet, wenn diese Einstellung erfolgreich eingestellt wurde. Alle Tasten des Bedienfeldes können nicht mehr verwendet werden, bis die Kindersicherung deaktiviert ist.

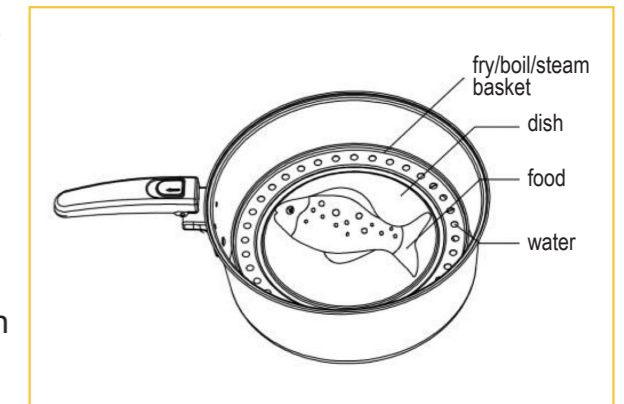
- 2.) Entriegelung der Kindersicherung. Drücken Sie gleichzeitig die Tasten „Timer / Temperatur“ und „Funktion“, um die Kindersicherung zu deaktivieren. Wenn Sie das Gerät ausschalten oder neu starten, wird die Kindersicherung automatisch deaktiviert.

● **Einstellen der Startvorwahl**

- 1.) Zuerst die Einstellungen für Kochbetrieb und Art der Speisen vornehmen. Danach die Startvorwahl von 1 Minute bis 9 Stunden 59 Minuten vornehmen.
- 2.) Drücken Sie die Taste „Preset“ und stellen die Zeit in Stunden und Minuten ein, indem Sie die Taste +/- drücken.
- 3.) Nachdem Sie die Zeit gewählt haben, drücken Sie erneut die Taste „Preset“, um Ihre Auswahl zu bestätigen. Sie können auch zur Bestätigung „On / Off“ drücken.

● **Dämpfen**

- 1.) Montieren Sie das Zubehör nach Vorgabe und geben Sie je nach Bedarf 500 bis 1000 ml Wasser in die Schüssel.
- 2.) Die gewürzten Speisen auf das Gitter geben.
- 3.) Stellen Sie den Kochmodus (DAMPF) und die Speisen (Hähnchen, Fisch, Fleisch ...) ein. Drücken Sie zur Bestätigung die Taste „ON / OFF“ um den automatischen Garvorgang zu starten.
- 4.) Nach dem Dämpfen (ungefähr 45 min), hält das Gerät für ca. 30 min. die Hitze. Werden 30 Minuten lang keine Eingaben am Bedienfeld gemacht, wechselt das Gerät in den Standby-Modus.



7. REINIGUNG

- Bitte reinigen Sie die Fritteuse nach jeder Nutzung. Warten Sie, bis das Gerät genügend abgekühlt ist.
- Verwenden Sie keine ätzenden oder scheuernde Reinigungsmittel zur Reinigung des Gerätes.
- Bitte nehmen Sie ein weiches, sauberes Tuch, um die Fritteuse zu reinigen. Verwenden Sie zum Reinigen kein nasses Tuch, damit kein Wasser ins Innere des Gerätes gelangen kann. Dies kann zu einem Kurzschluss, Bränden oder zu Stromschlägen führen
- Reinigen Sie Schüssel und Korb mit Wasser, etwas Spülmittel und einem nicht scheuernden Schwamm, da sie sonst die Beschichtung beschädigen können.



8. ERKENNEN UND BEHEBEN VON FEHLERN

Problem	Mögliche Ursache	Lösung
Der Multi-Kocher arbeitet nicht	Das Gerät ist nicht ans Stromnetz angeschlossen	Schließen Sie das Gerät an die Stromquelle an und betätigen Sie den Netzschalter an der Rückseite des Geräts. Starten Sie das Gerät mit der on/off-Powertaste auf dem Display.
	Sicherheitsschalter ausgeschaltet oder beschädigt	Wenden Sie sich an den Service
	Temperaturfühler defekt	Wenden Sie sich an den Service
	Kontrollleuchte leuchtet nicht	Wenn der Motor und das Heizelement ordnungsgemäß funktionieren, ist die Kontrollleuchte defekt. Wenden Sie sich an den Service
Motor arbeitet nicht, oder macht laute Geräusche	Der Ventilator blockiert oder der Lufteinlass ist verstopft	Schalten Sie das Gerät aus und vergewissern Sie sich, daß nichts blockiert ist, andernfalls wenden Sie sich an den Service

9. SICHERHEITSHINWEISE

Beim Umgang mit Elektrogeräten sind zum Schutz vor Bränden, Stromschlägen und Verletzungen die folgenden grundsätzlichen Sicherheitsmaßnahmen zu beachten.



- Um das Entstehen eines Brandes zu vermeiden, darf das Gerät nicht auf oder in der Nähe von brennbaren Materialien, z.B. Tischtuch, Vorhang usw. in Betrieb genommen werden.
- Während des Betriebs sollte jeder Hautkontakt mit dem Luftauslass vermieden werden. Die austretende heiße Luft kann zu Verbrennungen oder Verbrühungen führen.
- Während das Gerät in Betrieb ist, dürfen Lufteinlass und Luftauslass NICHT abgedeckt werden.
- Es ist NICHT zu empfehlen selbst Reparaturen oder technische Modifikationen durchzuführen. Reparaturen dürfen nur in einem autorisierten Fachbetrieb durchgeführt werden.
- Das Gerät darf nur mit einer Netzspannung von 230 Volt betrieben werden.
- Bitte überprüfen Sie vor jeder Inbetriebnahme die elektrischen Anschlüsse, die Unversehrtheit des Kabels und des Steckers.
- Knick- oder starke Biegungen können das Netzkabel beschädigen und dadurch Stromschläge oder Feuer verursachen. Betreiben Sie das Gerät nicht in der Nähe von starken Wärmequellen oder unter ungesicherten, schweren Lasten.
- Beschädigte Kabel dürfen nur vom autorisierten Fachbetrieb ausgetauscht werden.
- Niemals am stromführenden Kabel ziehen
- Das Gerät nie Staub, Säure, Dämpfen, explosiven oder brennbaren Gasen oder atmosphärischen Einflüssen (Regen, Sonne, Nebel, Schnee) aussetzen.
- Das Gerät darf nicht in Bereichen mit Dampf oder Feuchtigkeit oder in der Nähe von Wasser benutzt werden.
- Das Gerät niemals barfuß oder mit nassen Händen bzw. Füßen benutzen.
- Tauchen Sie das Gerät niemals in Wasser. Achten Sie darauf, daß unter keinen Umständen Wasser oder andere Flüssigkeiten in das Gehäuseinnere gelangen und die stromführenden Bauteile erreichen können.
- Bewegen oder schütteln Sie das Gerät nicht während des Betriebs.
- Stecken Sie keine spitzen Gegenstände aus Metall oder anderem stromleitenden Material in die Entlüftungsschlitze des Geräts, da es sonst zu einem elektrischen Schlag kommen kann.
- Nicht an einer Mehrfachstecker-Leiste betreiben um eine Beschädigung der Steckdose zu vermeiden und dadurch einen Brand zu verursachen.
- Entfernen Sie Staub oder Wasser vom Netzkabel und Stecker (Nutzen Sie das Gerät erst wieder, wenn die stromführenden Teile absolut trocken sind), sonst kann es zu Feuer, Stromschlag oder Kurzschluss kommen.
- Achten Sie immer darauf, dass der Stecker richtig in der Steckdose sitzt.
- Das Gerät darf nicht mit einer externen Zeitschaltuhr oder einer Fernbedienung bedient werden.
- Das Gerät darf nicht mit Papier, Kunststoff und anderen brennbaren Materialien befüllt werden.
- Lassen Sie genug Freiraum (mind. 20cm) um das Gerät. Nie das Gerät mit anderen Gegenständen abdecken.
- Dieses Gerät ist nur für den Hausgebrauch bestimmt.
- Schalten Sie die Fritteuse erst an, wenn die Frittier-Pfanne vollständig eingeführt ist.
- Menschen mit Herzschrittmachern oder Hörgeräten, sollten vor Nutzung des Geräts ihren Arzt konsultieren, und/oder sich in den Handbüchern ihrer medizinischen Geräte informieren.
- Während des Betriebs sollten nur die nicht wärmeführenden Teile berührt werden.
- **Der Betrieb darf nicht durch Kinder und Jugendliche unter 16 Jahren und Personen mit geistiger Behinderung erfolgen**
Kinder und Personen mit geistiger Behinderung dürfen keinen Zugang zur Fritteuse oder dem Netzkabel haben. Auch das Fernhalten Ihrer Kinder und Personen mit geistiger Behinderung vom Arbeitsplatz sorgt für zusätzliche Sicherheit.

DER HERSTELLER ERKLÄRT,

- Keine Verantwortung im Fall von Unfällen oder Schäden aufgrund von Fahrlässigkeit oder Missachtung der Anweisungen in dieser Bedienungsanleitung zu übernehmen
- Jede Verantwortung für Schäden, die durch die unsachgemäße Verwendung des Geräts entstehen, abzulehnen.

10. GARANTIEBESTIMMUNGEN

Für alle Fabrikations- und Materialfehler gilt die gesetzliche Gewährleistung. In diesen Fällen übernehmen wir den Umtausch oder die Reparatur des Produktes. Versandkosten werden von uns nur getragen, soweit dies gesetzlich vorgeschrieben ist. Im Garantiefall bitte über unsere Serviceplattform <http://www.profi-pumpe.de/service.php> den Fall anmelden. Dann teilen wir Ihnen die weitere Vorgehensweise fallbezogen mit.

Rücksendungen bitte ausreichend frankieren. Unfreie Rücksendungen können leider nicht angenommen werden, da diese vor Zustellung rausgefiltert werden. Unsere Serviceleistung erbringen wir in Deutschland.

Die Garantie gilt nicht bei:

- Materialverschleiß
- Unberechtigten Eingriffen oder Veränderungen an der Heissluft-Fritteuse
- Beschädigungen durch Selbstverschulden
- Unsachgemäßer Wartung und unsachgemäßem Betrieb

Außerdem leisten wir keinerlei Schadensersatz für Folgeschäden!

11. HINWEISE ZUR PRODUKTHAFTUNG

Wir weisen darauf hin, dass wir nach dem Produkthaftungsgesetz für Schäden, die durch unsere Geräte verursacht werden, nur insofern haften, soweit keine Veränderungen an den Geräten vorgenommen wurden. Falls Reparaturen durch von uns autorisierte Servicewerkstätte vorgenommen werden, haften wir nur insofern, wenn Original-Ersatzteile und Zubehör verwendet wurden.

12. ENTSORGUNGSHINWEISE



Elektro-Geräte mit dem Symbol der durchgestrichenen Mülltonne dürfen nicht über den Hausmüll entsorgt werden, sondern sind an einer Annahmestelle für Recycling von elektronischen Geräten abzugeben.

Bei der deutschen Registrierungsstelle EAR sind wir unter der **WEEE-Nummer DE25523173** gelistet. So tragen Sie zur Erhaltung und zum Schutz unserer Umwelt bei.

VIELEN DANK FÜR IHRE UNTERSTÜTZUNG!

13. EU-KONFORMITÄTSERKLÄRUNG

Der Unterzeichner 1A Profi Handels GmbH, Unterriethstr. 37, 65187 Wiesbaden bestätigt, daß die umseitig benannten Produkte in der in den Verkehr gebrachten Ausführung den unten aufgeführten einschlägigen Bestimmungen, den entsprechenden EU harmonisierten Richtlinien und dem EU-Standard für Sicherheit entsprechen.

Diese Konformitätserklärung gilt, insofern an dem Produkt keine Veränderungen vorgenommen werden.

Autorisierte Person zur Aufbewahrung der technischen Dokumente:
1A-Profi-Handels GmbH · Unterriethstraße 37 · D-65187 Wiesbaden

CE- Konformität gemäß LVD 2006/95/EC

Folgende harmonisierte Normen:

EN 60335-2-9: 2003+A1: 2004+A2: 2006+A12: 2007+A13: 2010

EN 60335-1: 2012+A11:2014

EN 62233: 2008

Wiesbaden, den 31.10.2016

ppa. Peter Neumüller

16 Englisch/Deutsch

14. DELIVERY LIST/LIEFERUMFANG

Name	Function	Quantity
Gripper	To take out the basket	1pc
Gripping tong	Fetch the materials/foods	1pc
Lip	Be used for steam/cooking soup	1set
Grate	Be used for steam (optional)	1pc
Stirring parts	Be used for cooking rice/meat/vegetables etc.	1set
Basket	Be used for fry/bake/broil foods, such as fry chips, fish, wings etc.	1pc
Pan	Be used for big quantity foods	1pc
ECO AIR-PROFI SOUP		1set
Bezeichnung	Funktion	Menge
Greifer	Zum Herausheben des Korbes	1 Stück
Greifzange	Zum Entnehmen der Lebensmittel	1 Stück
Dichtung	Zum Abdichten beim Dämpfen und Suppe kochen	1 Set
Gitter	Zum Dämpfen (optional)	1 Stück
Rührerteile	Zum Zubereiten von Reis, Fleisch, Gemüse etc.	1 Set
Korb	Zum Frittieren/Backen/Grillen von Fisch, Fleisch etc.	1 Stück
Topf	Zum Zubereiten größerer Lebensmittelmengen	1 Stück
ECO AIR-PROFI SOUP		1 Stück

15. TECHNICAL DATA/TECHNISCHE DATEN

English	Deutsch	Heißluft-Multifritteuse, Multibackofen, Suppenautomat, Reiskocher & Grill ECO AIR-PROFI SOUP DC-1400W
Tension / Power	Spannung / Leistung	220-240V~, 50/60Hz, 1500-1700W, Class I
Mesh basket capacity	Inhalt des Frittierkorbes	4 Liter
Fryer pan capacity (max.)	Inhalt der Schüssel (max.)	6 Liter
Timer	Zeitschaltuhr	0-30 Min.
Temperature	Temperatur	80-150°C
Measures in mm	Abmessungen in mm	387x340x292
Cable length (with Euro plug)	Kabellänge (mit Schuko-Stecker)	1,2 m

The product in this manual is Made in PRC.
Das Produkt in dieser Bedienungsanleitung ist Made in VRC.

Imprint/Impressum



1A Profi Handels GmbH
www.oeko-shopping.de
Email: info@1a-profi-handel.de
Tel.: (+49) 0611-9 45 87 76-0
Fax: (+49) 0611-9 45 87 76-11